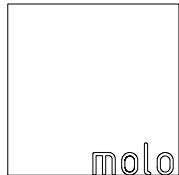


This drawing and the content represented is the exclusive property of molo design ltd. and cannot be used without their prior written consent. For site installations verify all dimensions and notify molo of any on-site discrepancies prior to construction. Drawing scale may be affected by printing, scanning, or copying. Do not scale drawings



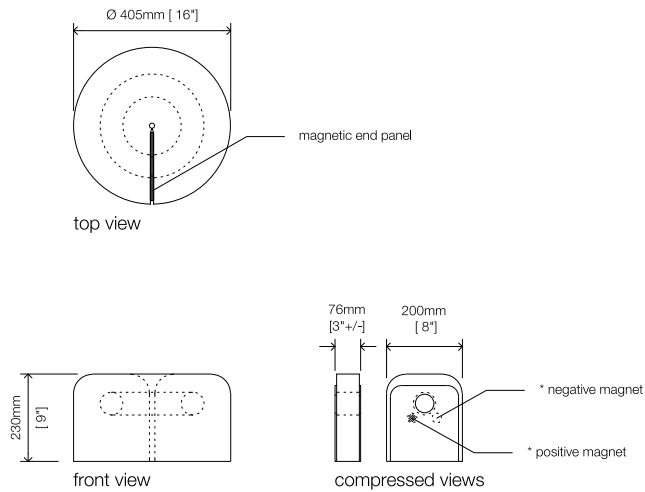
1470 Venables Street
Vancouver, BC
Canada V5L 2G7

+ 1 604 696 2501
www.molodesign.com

140107

softseat specification sheets · all sizes

fanning stool / table



stool: 405mm diameter x 230mm tall (16"Ø x 9" tall)

colour + material	weight	product code
natural brown · paper	2.2kg (4.8lbs)	2.2kg (4.8lbs)
black · paper	2.8kg (6.2lbs)	2.8kg (6.2lbs)
white · textile	1.8kg (4.0lbs)	1.8kg (4.0lbs)

· softseat elements are made from the same paper and textile materials used in molo's softwall + softblock flexible modular partition system and the softseat benches have a modular magnetic pattern that allows them to connect to the magnetic end panels of softwall + softblock.

optional accessories

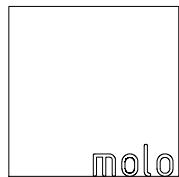
- wool felt pad · natural grey 380mm Ø x 20mm (15"Ø x.75") CODE: SA-PAD-FLT-GR-15
- LED ribbon · to illuminate white textile fanning stools / tables

fire rating certificates available on request

- M1 · France (paper)
- B1 · Germany (paper)
- NFPA 701 · US Standard (paper)
- Technical Bulletin 133 · California (paper)
- Class A · ASTM E84-05 · US Standard (textile)

* Magnets are not visible, they are recessed into the end panels of each softseat element.

This drawing and the content represented is the exclusive property of molo design ltd, and cannot be used without their prior written consent. For site installations verify all dimensions and notify molo of any on-site discrepancies prior to construction. Drawing scale may be affected by printing, scanning, or copying. Do not scale drawings



1470 Venables Street
Vancouver, BC
Canada V5L 2G7

+ 1 604 696 2501
www.molodesign.com

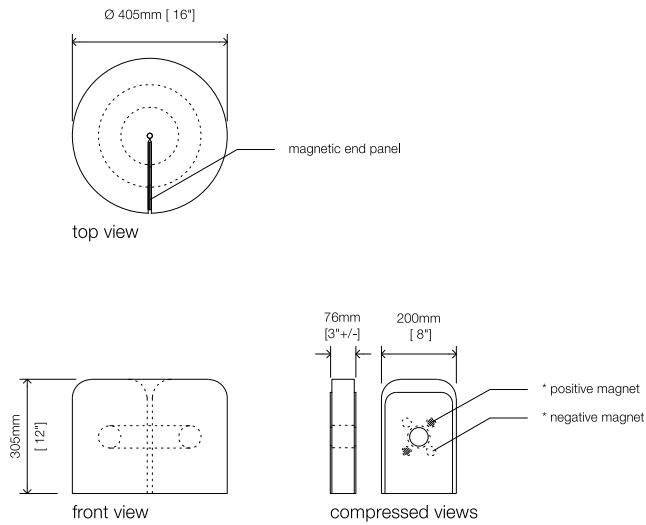
softseat specifications

1:20

01

fanning stool / table

stool: 405mm diameter x 305mm tall (16"Ø x 12" tall)



colour + material	weight	product code
natural brown · paper	3kg (6.6lbs)	SS-P-BR-12-16
black · paper	3.4kg (7.5lbs)	SS-P-BK-12-16
indigo blue · paper	3.4kg (7.5lbs)	SS-P-BU-12-16
white · textile	2.2kg (4.8lbs)	SS-T-WH-12-16

· softseat elements are made from the same paper and textile materials used in molo's softwall + softblock flexible modular partition system and the softseat benches have a modular magnetic pattern that allows them to connect to the magnetic end panels of softwall + softblock.

optional accessories

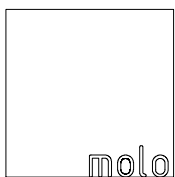
- wool felt pad · natural grey 380mm Ø x 20mm (15"Ø x .75") CODE: SA-PAD-FLT-GR-15
- LED ribbon · to illuminate white textile fanning stools / tables

fire rating certificates available on request

- M1 · France (paper)
- B1 · Germany (paper)
- NFPA 701 · US Standard (paper)
- Technical Bulletin 133 · California (paper)
- Class A · ASTM E84-05 · US Standard (textile)

* Magnets are not visible, they are recessed into the end panels of each softseat element.

This drawing and the content represented is the exclusive property of molo design ltd. and cannot be used without their prior written consent. For site installations verify all dimensions and notify molo of any on-site discrepancies prior to construction. Drawing scale may be affected by printing, scanning, or copying. Do not scale drawings



1470 Venables Street
Vancouver, BC
Canada V5L 2G7

+ 1 604 696 2501
www.molodesign.com

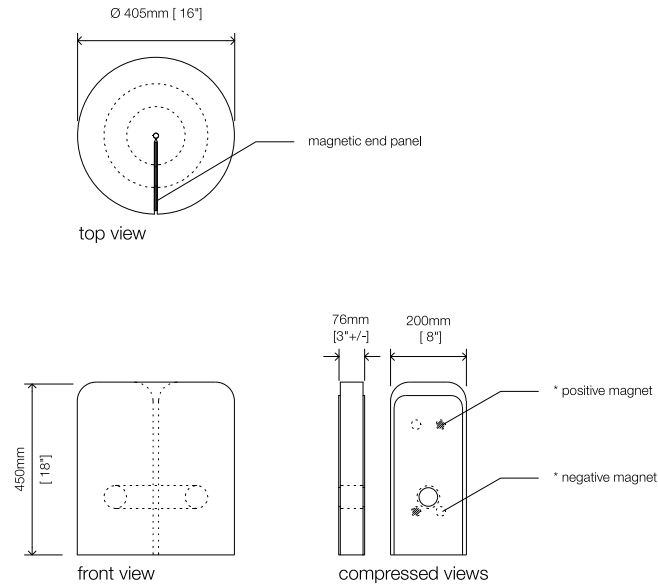
softseat specifications

1:20

02

fanning stool / table

stool: 405mm diameter x 455mm tall (16"Ø x 18" tall)



colour + material	weight	product code
natural brown · paper	4.6kg (10.1lbs)	SS-P-BR-18-16
black · paper	5kg (11lbs)	SS-P-BK-18-16
indigo blue · paper	5kg (11lbs)	SS-P-BU-18-16
white · textile	3.4kg (7.5lbs)	SS-T-WH-18-16

· softseat elements are made from the same paper and textile materials used in molo's softwall + softblock flexible modular partition system and the softseat benches have a modular magnetic pattern that allows them to connect to the magnetic end panels of softwall + softblock.

optional accessories

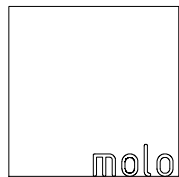
- wool felt pad · natural grey 380mm Ø x 20mm (15"Ø x.75") CODE: SA-PAD-FLT-GR-15
- LED ribbon · to illuminate white textile fanning stools / tables

fire rating certificates available on request

- M1 · France (paper)
- B1 · Germany (paper)
- NFPA 701 · US Standard (paper)
- Technical Bulletin 133 · California (paper)
- Class A · ASTM E84-05 · US Standard (textile)

* Magnets are not visible, they are recessed into the end panels of each softseat element.

This drawing and the content represented is the exclusive property of molo design ltd, and cannot be used without their prior written consent. For site installations verify all dimensions and notify molo of any on-site discrepancies prior to construction. Drawing scale may be affected by printing, scanning, or copying. Do not scale drawings



1470 Venables Street
Vancouver, BC
Canada V5L 2G7

+ 1 604 696 2501
www.molodesign.com

softseat specifications

1:20

03

fanning stool / table / bench

stool: 610mm diameter x 305mm tall (24" Ø x 12" tall)
 bench: 1.8 meters long x 305mm wide x 305mm tall (6' long x 12" wide x 12" tall)

colour + material	weight	product code
natural brown · paper	5.6kg (12.3lbs)	SS-P-BR-12-24
black · paper	6kg (13.2lbs)	SS-P-BK-12-24
indigo blue · paper	6kg (13.2lbs)	SS-P-BU-12-24
white · textile	4.4kg (9.7lbs)	SS-T-WH-12-24

· softseat elements are made from the same paper and textile materials used in molo's softwall + softblock flexible modular partition system and the softseat benches have a modular magnetic pattern that allows them to connect to the magnetic end panels of softwall + softblock.

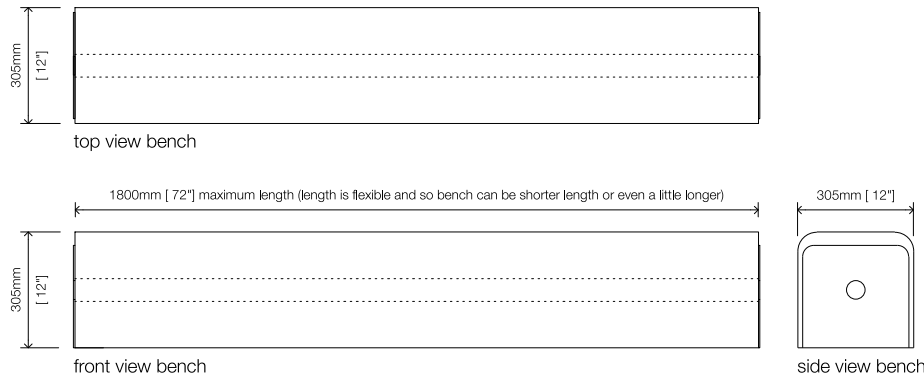
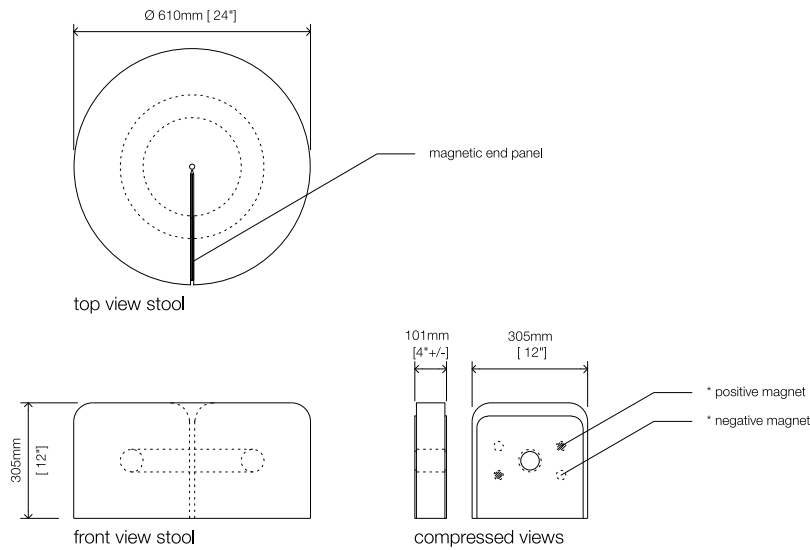
optional accessories

- wool felt pad · natural grey 380mm Ø x 20mm (15"Ø x.75") CODE: SA-PAD-FLT-GR-15
- LED ribbon · to illuminate white textile fanning stools / tables / benches

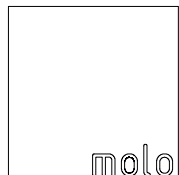
fire rating certificates available on request

- M1 · France (paper)
- B1 · Germany (paper)
- NFPA 701 · US Standard (paper)
- Technical Bulletin 133 · California (paper)
- Class A · ASTM E84-05 · US Standard (textile)

* Magnets are not visible, they are recessed into the end panels of each softseat element.



This drawing and the content represented is the exclusive property of molo design ltd. and cannot be used without their prior written consent. For site installations verify all dimensions and notify molo of any on-site discrepancies prior to construction. Drawing scale may be affected by printing, scanning, or copying. Do not scale drawings



1470 Venables Street
 Vancouver, BC
 Canada V5L 2G7

+ 1 604 696 2501
 www.molodesign.com

softseat specifications

1:20

fanning stool / table / bench

stool: 610mm diameter x 455mm tall (24"Ø x 18" tall)
 bench: 1.8 meters long x 305mm wide x 455mm tall (6' long x 12" wide x 18" tall)

colour + material	weight	product code
natural brown · paper	9.2kg (20.2lbs)	SS-P-BR-18-24
black · paper	10kg (22lbs)	SS-P-BK-18-24
indigo blue · paper	10kg (22lbs)	SS-P-BU-18-24
white · textile	6.8kg (15lbs)	SS-T-WH-18-24

· softseat elements are made from the same paper and textile materials used in molo's softwall + softblock flexible modular partition system and the softseat benches have a modular magnetic pattern that allows them to connect to the magnetic end panels of softwall + softblock.

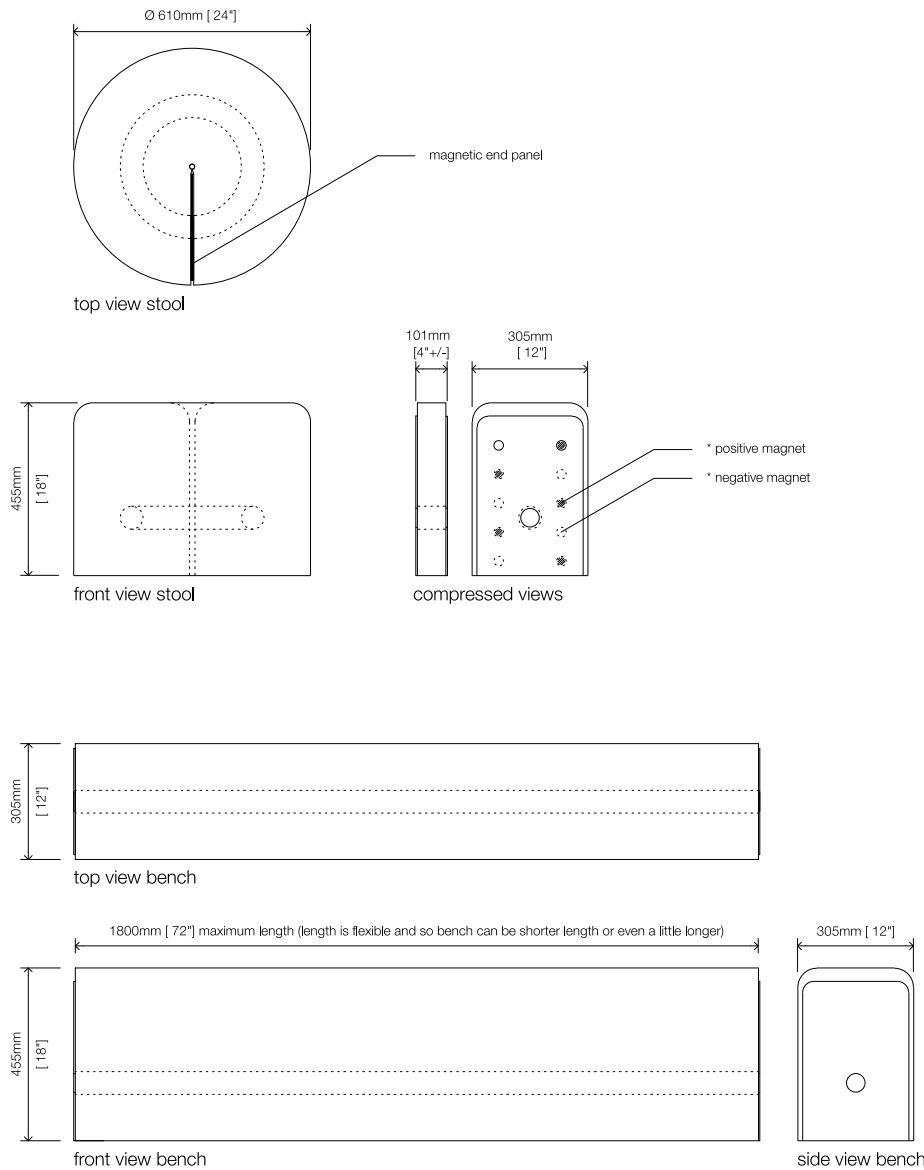
optional accessories

- wool felt pad · natural grey 380mm Ø x 20mm (15"Ø x.75") CODE: SA-PAD-FLT-GR-15
- LED ribbon · to illuminate white textile fanning stools / tables / benches

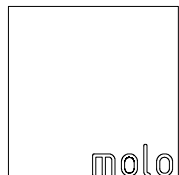
fire rating certificates available on request

- M1 · France (paper)
- B1 · Germany (paper)
- NFPA 701 · US Standard (paper)
- Technical Bulletin 133 · California (paper)
- Class A · ASTM E84-05 · US Standard (textile)

* Magnets are not visible, they are recessed into the end panels of each softseat element.



This drawing and the content represented is the exclusive property of molo design ltd, and cannot be used without their prior written consent. For site installations verify all dimensions and notify molo of any on-site discrepancies prior to construction. Drawing scale may be affected by printing, scanning, or copying. Do not scale drawings



1470 Venables Street
 Vancouver, BC
 Canada V5L 2G7

+ 1 604 696 2501
 www.molodesign.com

softseat specifications

1:20

05

fanning stool / table / bench

stool: 915mm diameter x 305mm tall (36"Ø x 12" tall)
 bench: 2.5 meters long x 455mm wide x 305mm tall (8' long x 18" wide x 12" tall)

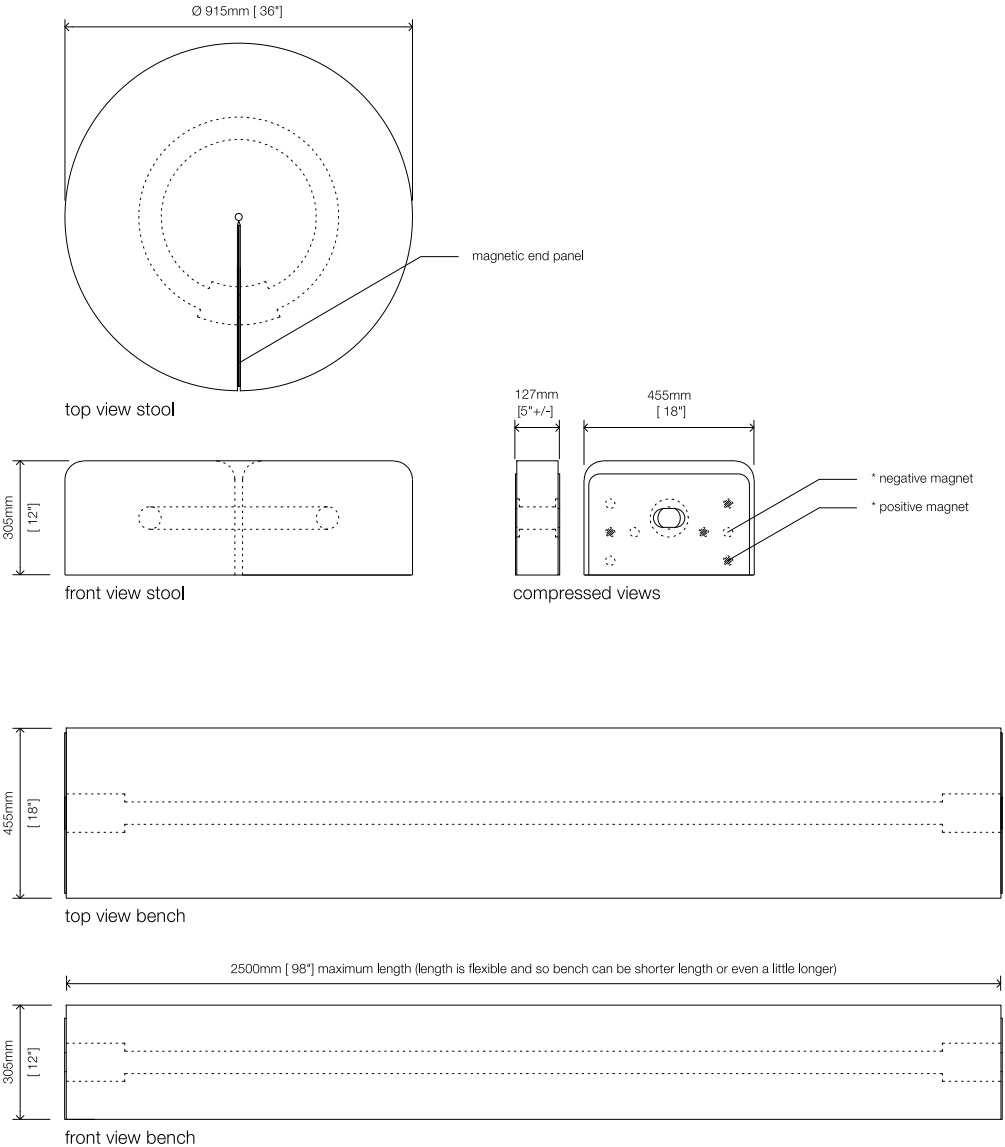
colour + material	weight	product code
natural brown · paper	11.2kg (24.6lbs)	SS-P-BR-12-36
black · paper	11.4kg (25lbs)	SS-P-BK-12-36
indigo blue · paper	11.4kg (25lbs)	SS-P-BU-12-36
white · textile	8.4kg (18.4lbs)	SS-T-WH-12-36

· softseat elements are made from the same paper and textile materials used in molo's softwall + softblock flexible modular partition system and the softseat benches have a modular magnetic pattern that allows them to connect to the magnetic end panels of softwall + softblock.

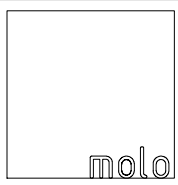
optional accessories
 · wool felt pad · natural grey 380mm Ø x 20mm (15"Ø x .75") CODE: SA-PAD-FLT-GR-15
 · LED ribbon · to illuminate white textile fanning stools / tables / benches

- fire rating certificates available on request
- M1 · France (paper)
 - B1 · Germany (paper)
 - NFPA 701 · US Standard (paper)
 - Technical Bulletin 133 · California (paper)
 - Class A · ASTM E84-05 · US Standard (textile)

* Magnets are not visible, they are recessed into the end panels of each softseat element.



This drawing and the content represented is the exclusive property of molo design ltd. and cannot be used without their prior written consent. For site installations verify all dimensions and notify molo of any on-site discrepancies prior to construction. Drawing scale may be affected by printing, scanning, or copying. Do not scale drawings



1470 Venables Street
 Vancouver, BC
 Canada V5L 2G7
 + 1 604 696 2501
 www.molodesign.com

softseat specifications

1:20

fanning stool / table / bench

stool: 915mm diameter x 455mm tall (36"Ø x 18" tall)
 bench: 2.5 meters long x 455mm wide x 455mm tall (8' long x 18" wide x 18" tall)

colour + material	weight	product code
natural brown · paper	16kg (18.4lbs)	SS-P-BR-18-36
black · paper	18kg (39.6lbs)	SS-P-BK-18-36
indigo blue · paper	18kg (39.6lbs)	SS-P-BU-18-36
white · textile	12.6kg (27.7lbs)	SS-T-WH-18-36

· softseat elements are made from the same paper and textile materials used in molo's softwall + softblock flexible modular partition system and the softseat benches have a modular magnetic pattern that allows them to connect to the magnetic end panels of softwall + softblock.

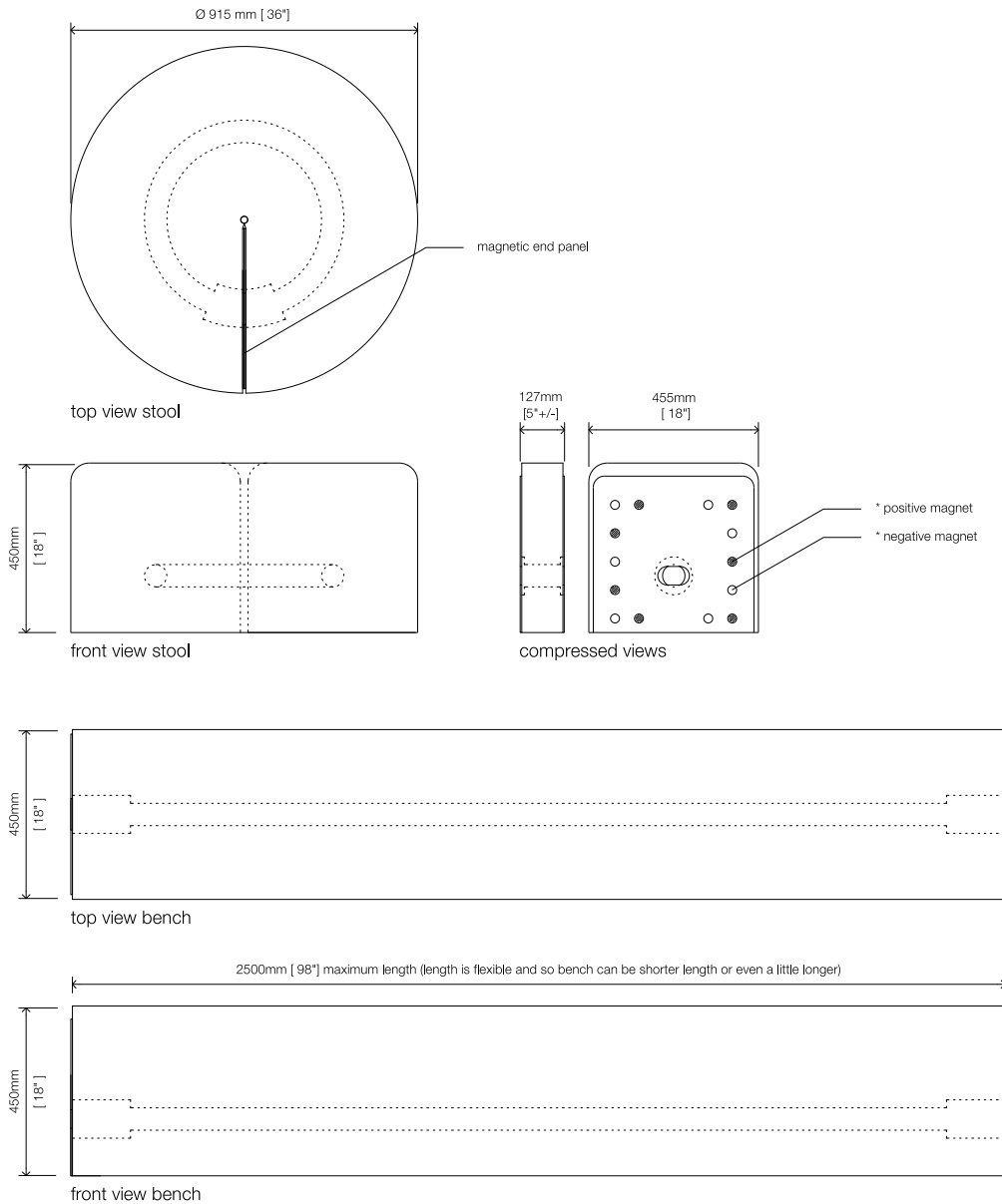
optional accessories

- wool felt pad · natural grey 380mm Ø x 20mm (15"Ø x .75") CODE: SA-PAD-FLT-GR-15
- LED ribbon · to illuminate white textile fanning stools / tables / benches

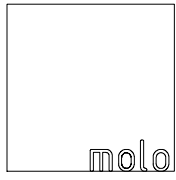
fire rating certificates available on request

- M1 · France (paper)
- B1 · Germany (paper)
- NFPA 701 · US Standard (paper)
- Technical Bulletin 133 · California (paper)
- Class A · ASTM E84-05 · US Standard (textile)

* Magnets are not visible, they are recessed into the end panels of each softseat element.



This drawing and the content represented is the exclusive property of molo design ltd. and cannot be used without their prior written consent. For site installations verify all dimensions and notify molo of any on-site discrepancies prior to construction. Drawing scale may be affected by printing, scanning, or copying. Do not scale drawings



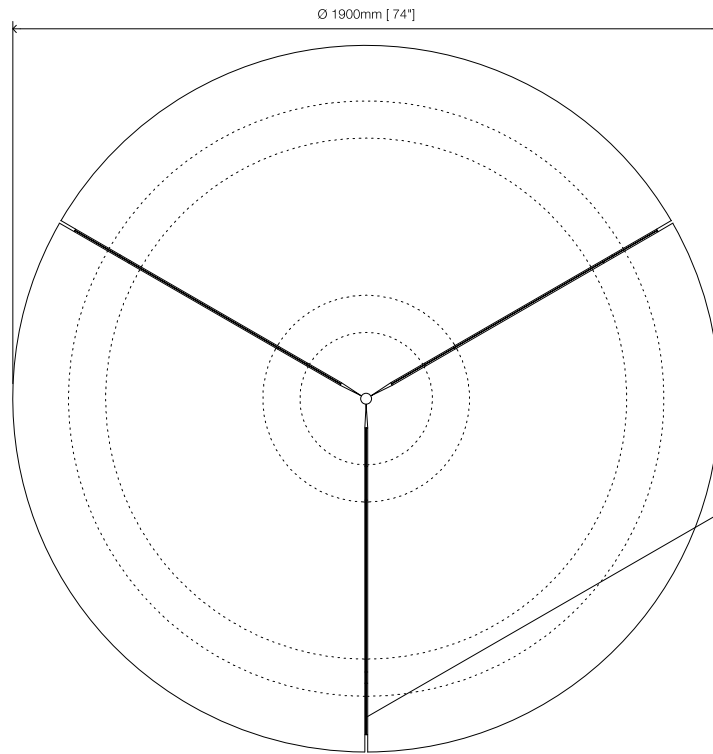
1470 Venables Street
 Vancouver, BC
 Canada V5L 2G7
 + 1 604 696 2501
 www.molodesign.com

softseat specifications

1:20

07

textile fanning lounger



top view (three sections assembled)

magnetic end panel

lounger 1900mm diameter x 405mm tall (74"Ø x 16" tall)

· 3 identical lounger sections connect via magnetic end panels to form complete lounger

colour + material	weight	product code
white · textile	38.4kg (84.5lbs)	SS-T-WH-16-74-LNGR

· softseat elements are made from the same paper and textile materials used in molo's softwall + softblock flexible modular partition system and the softseat benches have a modular magnetic pattern that allows them to connect to the magnetic end panels of softwall + softblock. The lounger has a unique magnetic pattern that is not compatible with the softwall + softblock system.

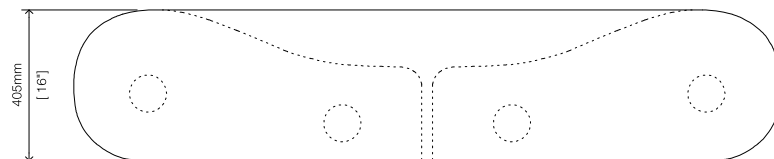
optional accessories

· LED ribbon · to illuminate white textile lounger

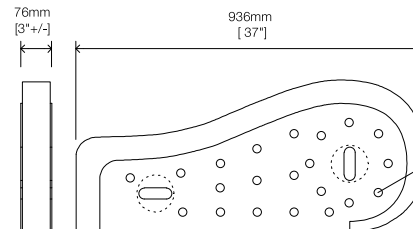
fire rating certificates available on request

· Class A · ASTM E84-05 · US Standard (textile)

* Magnets are not visible, they are recessed into the end panels of each softseat element.



front view (three sections assembled)
· some hidden through lines are suppressed for clarity



compressed views (single section)
· some hidden through lines are suppressed for clarity

* negative magnet (opposite end panel is comprised of positive magnets)

This drawing and the content represented is the exclusive property of molo design ltd. and cannot be used without their prior written consent. For site installations verify all dimensions and notify molo of any on-site discrepancies prior to construction. Drawing scale may be affected by printing, scanning, or copying. Do not scale drawings



1470 Venables Street
Vancouver, BC
Canada V5L 2G7

+ 1 604 696 2501
www.molodesign.com

softseat specifications

1:20

08

paper fanning lounger

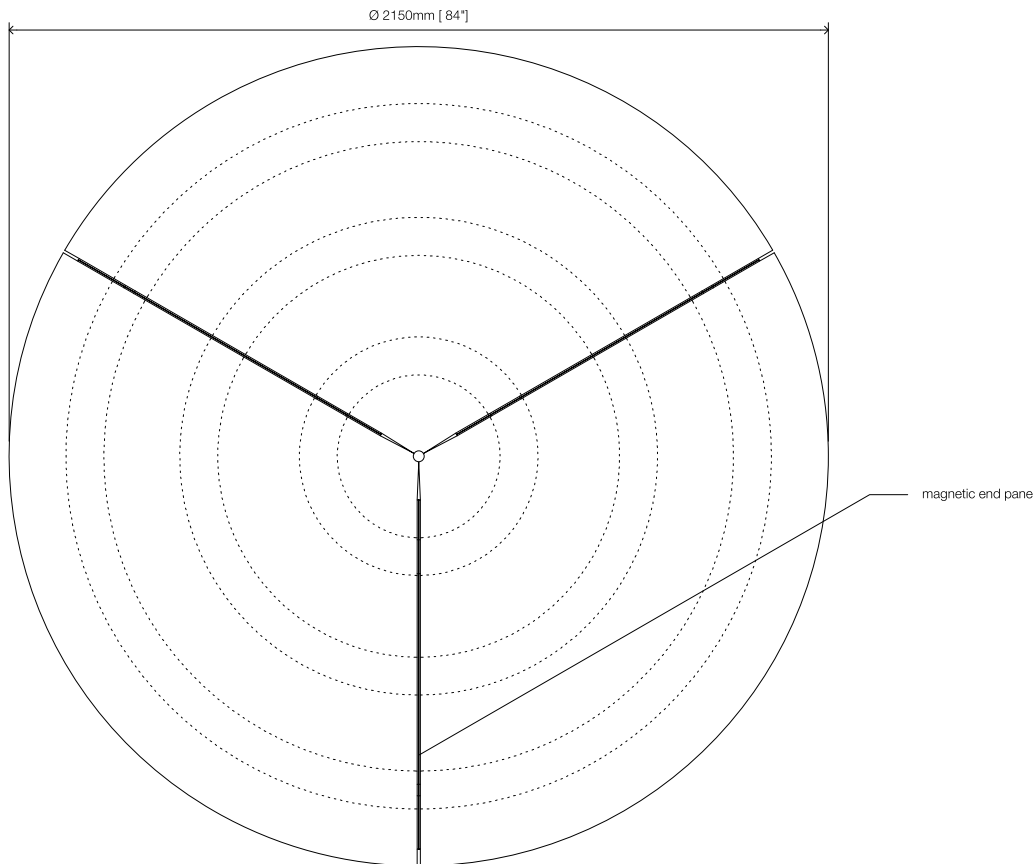
lounger 2150mm diameter x 405mm tall (84"Ø x 16" tall)
 · 3 identical lounger sections connect via magnetic end panels to form complete lounger

colour + material	weight	product code
natural brown · paper	56.4kg (124lbs)	SS-P-BR-16-84-LNGR
black · paper	63.6kg (140lbs)	SS-P-BK-16-84-LNGR
indigo blue · paper	63.6kg (140lbs)	SS-P-BU-16-84-LNGR

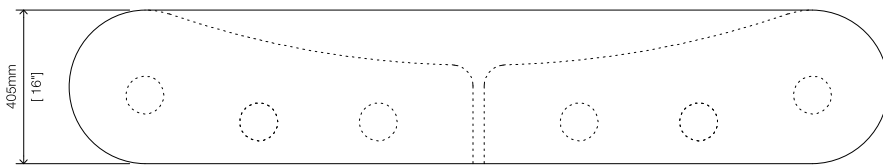
· softseat elements are made from the same paper and textile materials used in molo's softwall + softblock flexible modular partition system and the softseat benches have a modular magnetic pattern that allows them to connect to the magnetic end panels of softwall + softblock. The lounger has a unique magnetic pattern that is not compatible with the softwall + softblock system.

fire rating certificates available on request
 · M1 · France (paper)
 · B1 · Germany (paper)
 · NFPA 701 · US Standard (paper)
 · Technical Bulletin 133 · California (paper)

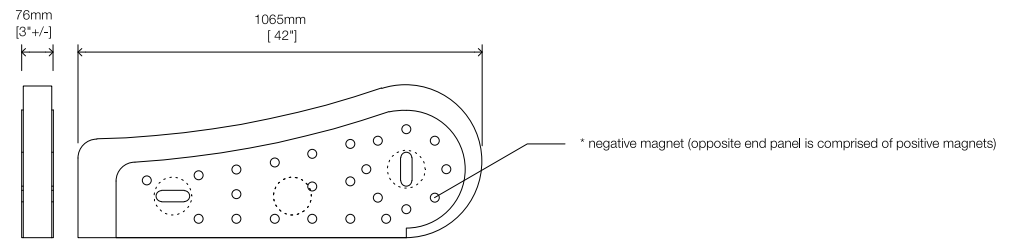
* Magnets are not visible, they are recessed into the end panels of each softseat element.



top view (three sections assembled)

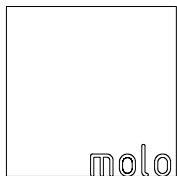


front view (three sections assembled)
 · some hidden through lines are suppressed for clarity



compressed views (single section)
 · some hidden through lines are suppressed for clarity

This drawing and the content represented is the exclusive property of molo design ltd, and cannot be used without their prior written consent. For site installations verify all dimensions and notify molo of any on-site discrepancies prior to construction. Drawing scale may be affected by printing, scanning, or copying. Do not scale drawings



1470 Venables Street
 Vancouver, BC
 Canada V5L 2G7

+1 604 696 2501
 www.molodesign.com

softseat specifications

1:20