

cloud softlight
120V dimmable hardwire transformer
specifications

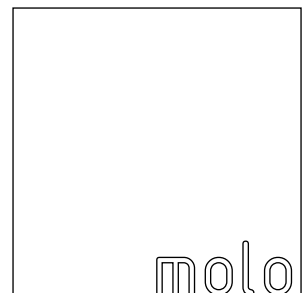
TechnoMagnet LTD.
20 Watts
35 Watts
75 Watts

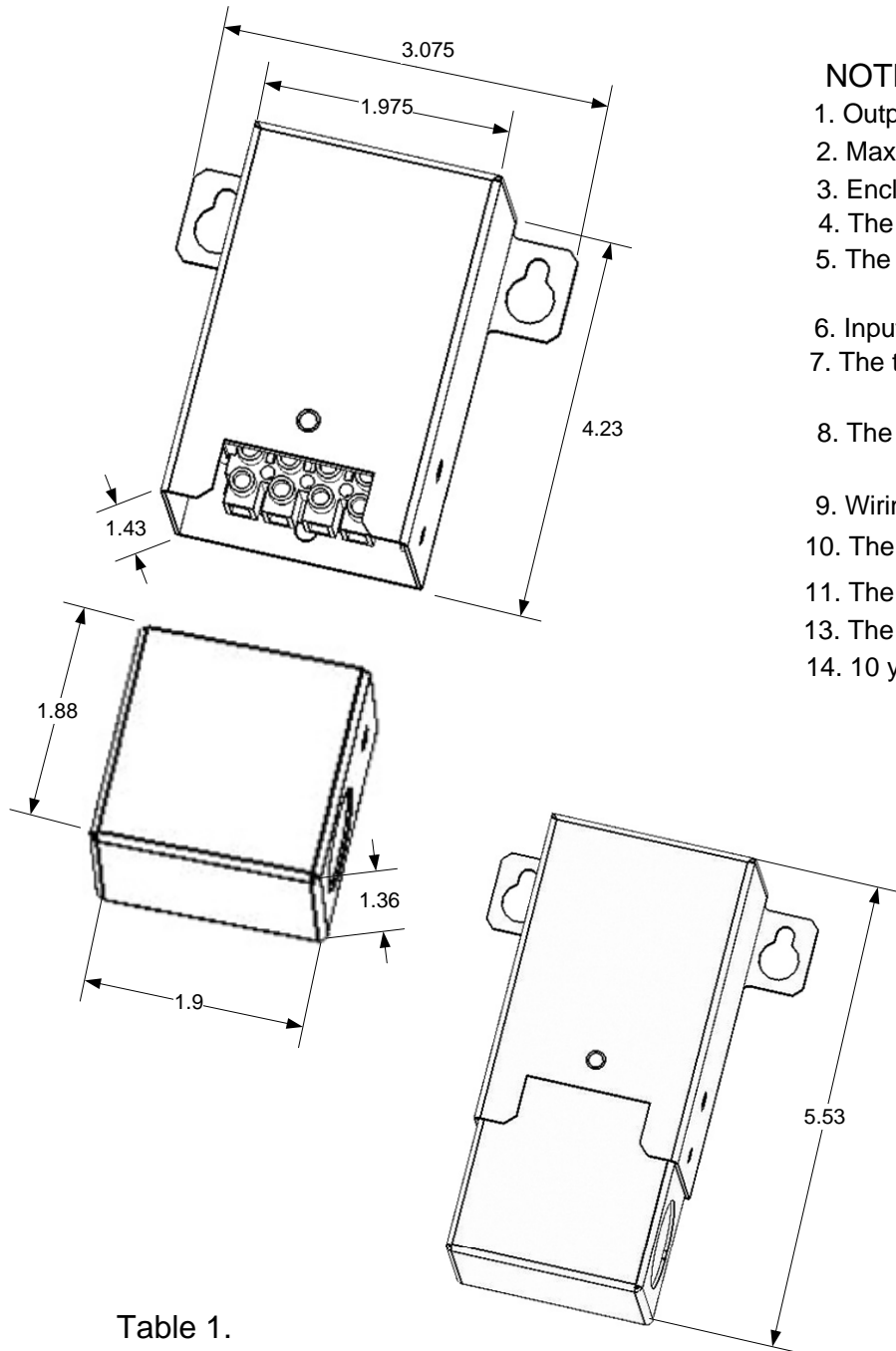
molo design, ltd

1470 Venables Street
Vancouver, B.C.
Canada V5L 2G7

t +1 604 696 2501
f +1 604 685 0342

info@molodesign.com
www.molodesign.com





NOTES:

1. Output voltage in table 1 with 120VAC 50 Hz. applied and fully loaded.
2. Maximum no load input current : 0.05A. No minimum load.
3. Enclosure Temperature does not exceed 55°C in a 40°C ambient, fully loaded.
4. The actual transformer 20VA is encapsulated in the enclosure.
5. The transformer is dimmable with all dimmers that provide symmetrical form of the current under any condition.
6. Input and output terminals are terminal block.
7. The transformer uses a class B (130°C) UL recognized insulation system E164279 MD.N66.130.00.
8. The transformer has a thermal self-reset 3.5A circuit breaker on the secondary side and 0.8A on primary side, compliant to class II.
9. Wiring compartment has 2 side knockouts sized for 3/4 inch screw cable connectors.
10. The removable wiring compartment is secured in place by clips and one screw.
11. The enclosure is for indoor use only, black powder coated.
13. The label contains Technomagnet's catalog number and electrical rating.
14. 10 years warranty if installed by qualified electrician.

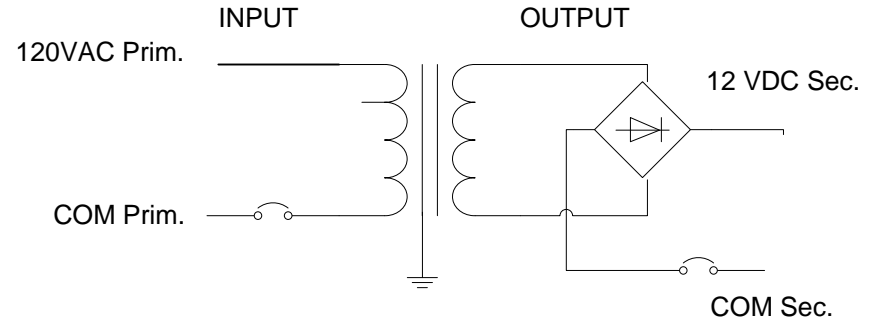
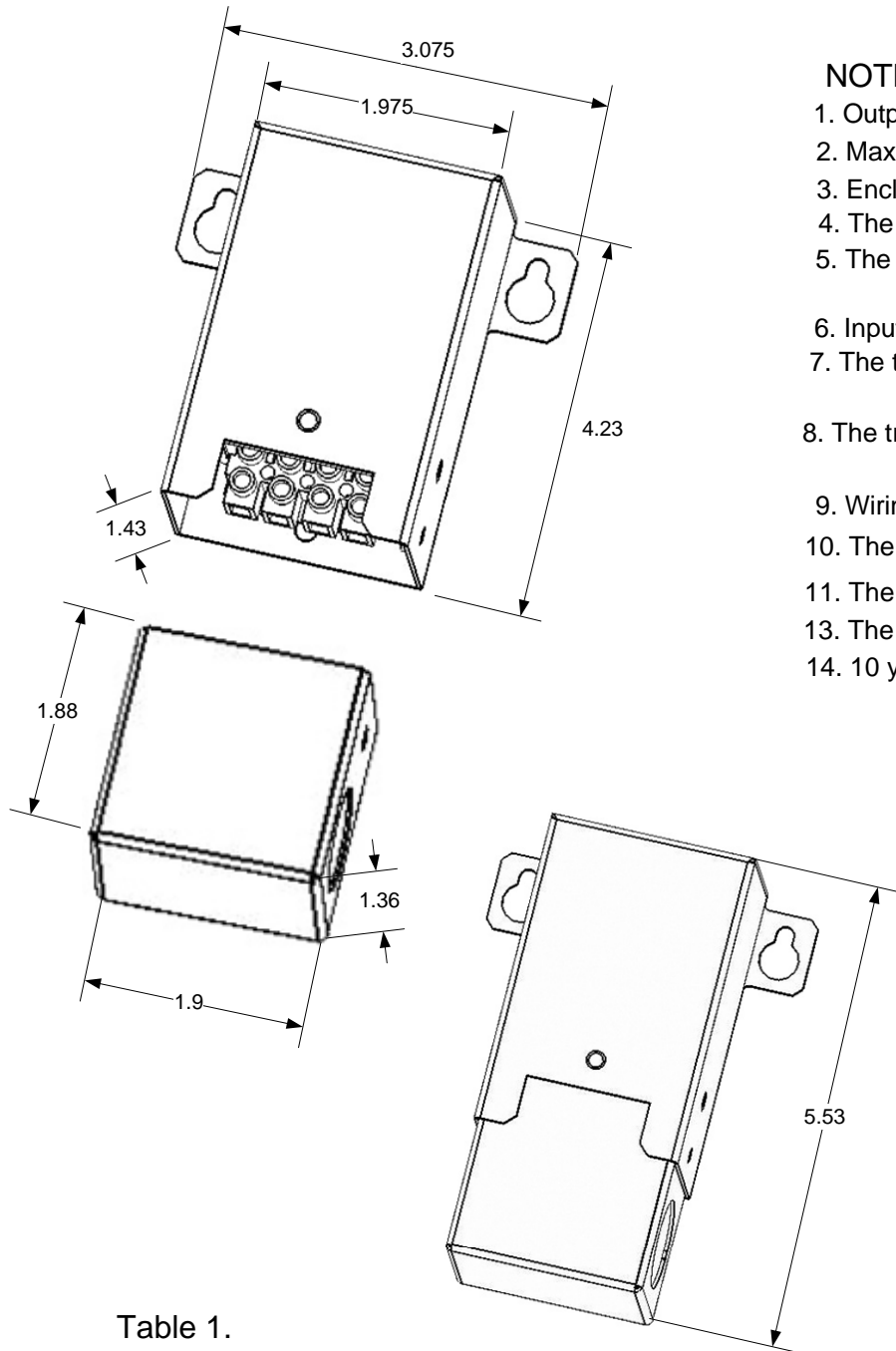


Table 1.

Output Volts	
120AC	
12DC	

TechnoMagnet LTD. Interactive Lighting Servers		15547 Cabrito Road Unit A Van Nuys, CA 91406	
	Name	Date	
DRW.			Page 1 Of 1
CHK.			Scale: no scale Tolerance: ±
APR.			Title: Compact indoor 12VDC 20VA Low voltage Transformer.
Part #	TMC20DC	Rev. A	



NOTES:

1. Output voltage in table 1 with 120VAC 50 Hz. applied and fully loaded.
2. Maximum no load input current : 0.05A. No minimum load.
3. Enclosure Temperature does not exceed 55°C in a 40°C ambient, fully loaded.
4. The actual transformer 35VA is encapsulated in the enclosure.
5. The transformer is dimmable with all dimmers that provide symmetrical form of the current under any condition.
6. Input and output terminals are terminal block.
7. The transformer uses a class B (130°C) UL recognized insulation system E164279 MD.N66.130.00.
8. The transformer has a thermal self-reset 5A circuit breaker on the secondary side and 0.8A on primary side. Compliant to class II.
9. Wiring compartment has 2 side knockouts sized for 3/4 inch screw cable connectors.
10. The removable wiring compartment is secured in place by clips and one screw.
11. The enclosure is for indoor use only, black powder coated.
13. The label contains Technomagnet's catalog number and electrical rating.
14. 10 years warranty if installed by qualified electrician.

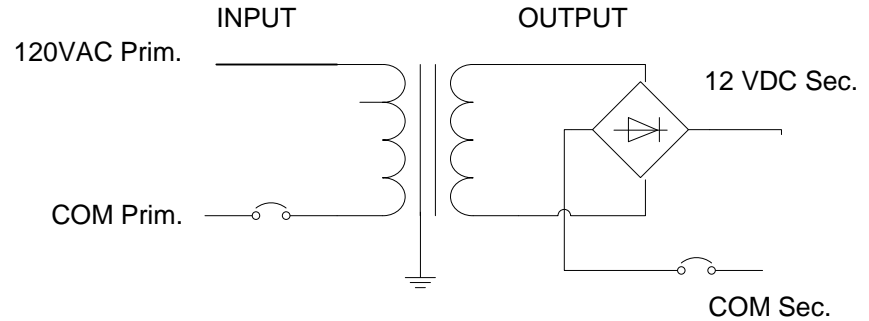
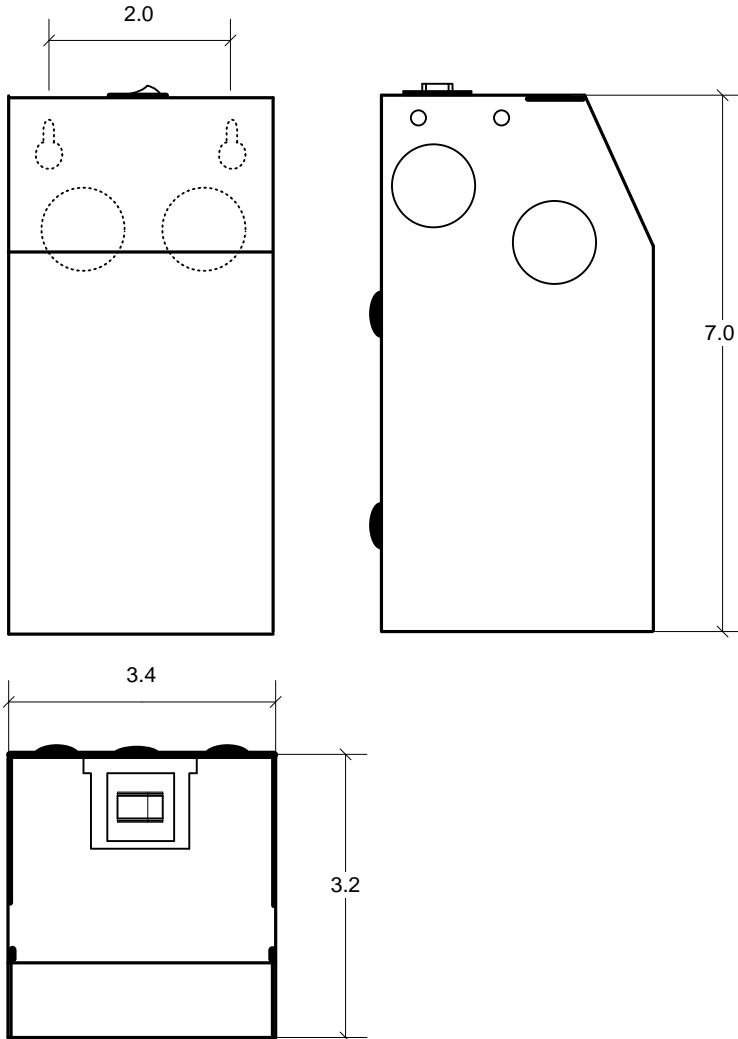


Table 1.

Output Volts	
120AC	
12DC	

TechnoMagnet LTD. Interactive Lighting Servers			15547 Cabrito Road Unit A Van Nuys, CA 91406	
			Page 1 Of 1	Scale: no scale Tolerance: ±
DRW.			Title: Compact indoor 12VDC 35VA Low voltage Transformer.	
CHK.				
APR.				
Part #	TMC35DC	Rev. A		

Two keyholes and two additional knockouts on the back



NOTES:

1. Output voltage in table 1 with 120VAC 50Hz. applied and fully loaded.
2. Maximum no load input current : 0.2A. No minimum load.
3. Enclosure Temperature does not exceed 65°C in a 40°C ambient, fully loaded.
4. The actual transformer 75VA is encapsulated in the enclosure.
5. The transformer is dimmable with all dimmers that provide symmetrical form of the current under any condition.
6. Input and output leads are 18 AWG. 600V. Lead insulation is 105°C.
7. The transformer uses a class B (130°C) UL recognized insulation system E164279 MD.N66.130.00.
8. The transformer has a manual reset thermal 9A circuit breaker on the secondary side.
9. Wiring compartment has 4 side and 2 back knockouts sized for 3/4 inch screw cable connectors.
10. The removable cover for the wiring compartment is secured in place by clips.
11. The enclosure for indoor use only, black powder coated.
12. The Transformer is UL listed. UL file number: E194005. model C-150
13. The label contains Technomagnet's catalog number and electrical rating.
14. 10 years warranty if installed by qualified electrician.

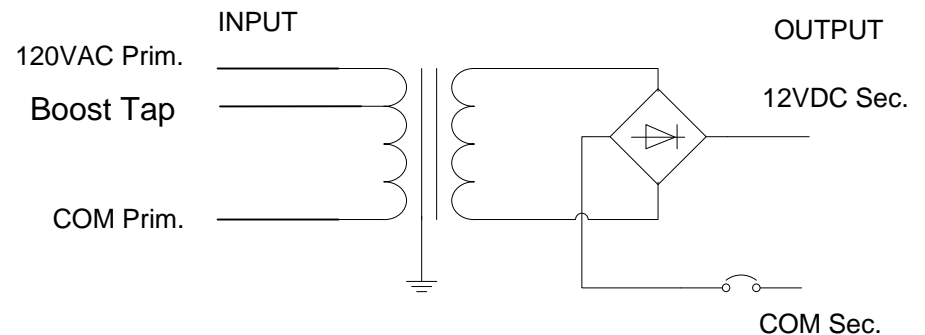


Table 1.

Output Volts	
120AC	Boost
11.8	12.8

		15547 Cabrito Road Van Nuys, CA 91406	
Name Date	Page 1 Of 1	Scale: no scale	
		Tolerance: ±	
Title: Compact indoor 12VDC 75VA Low voltage Transformer.		Part #TMC75S12DC Rev. A	